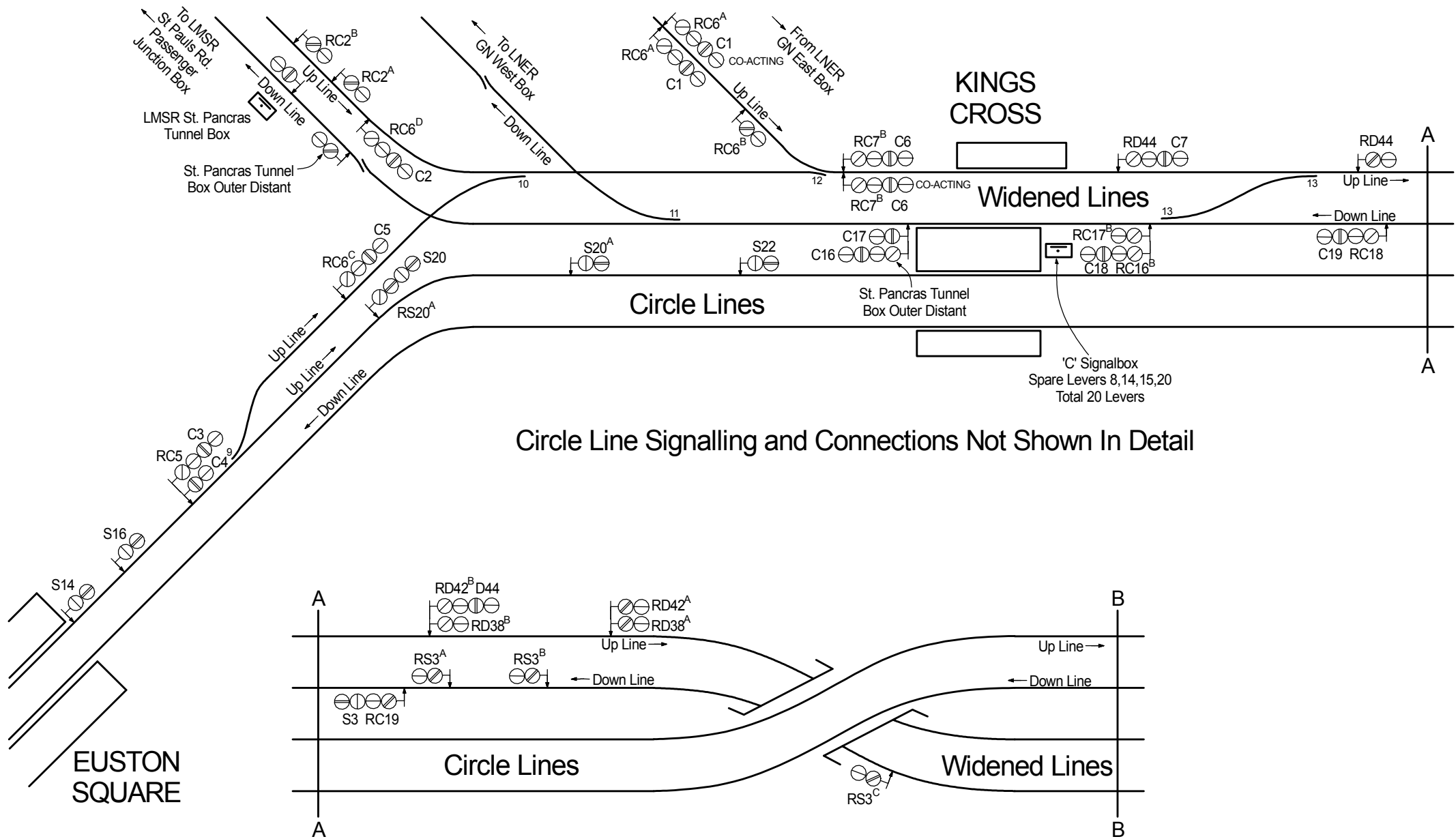
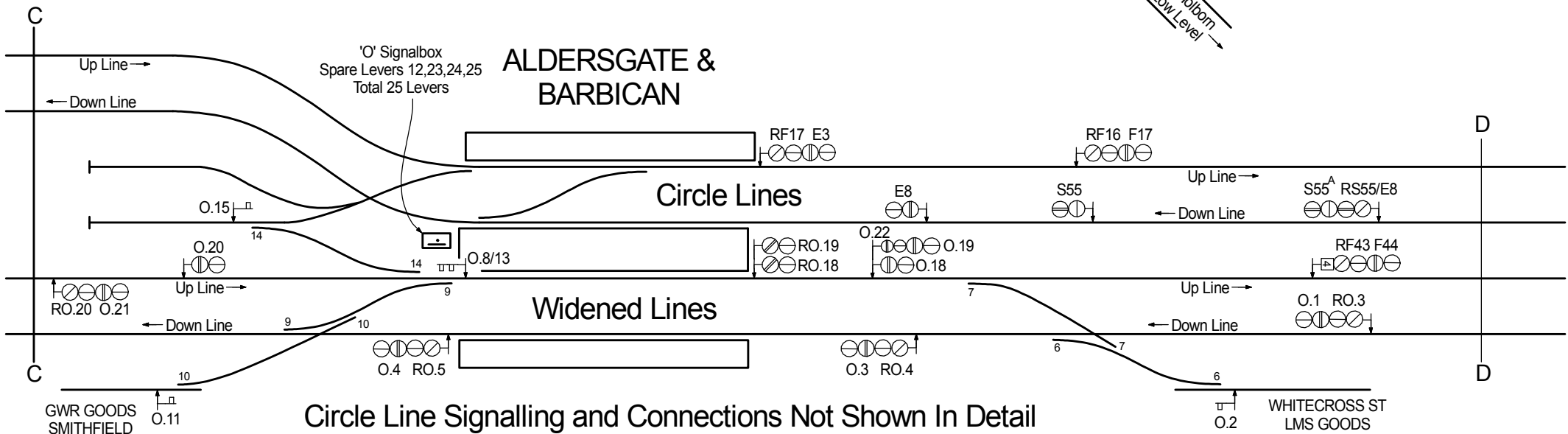
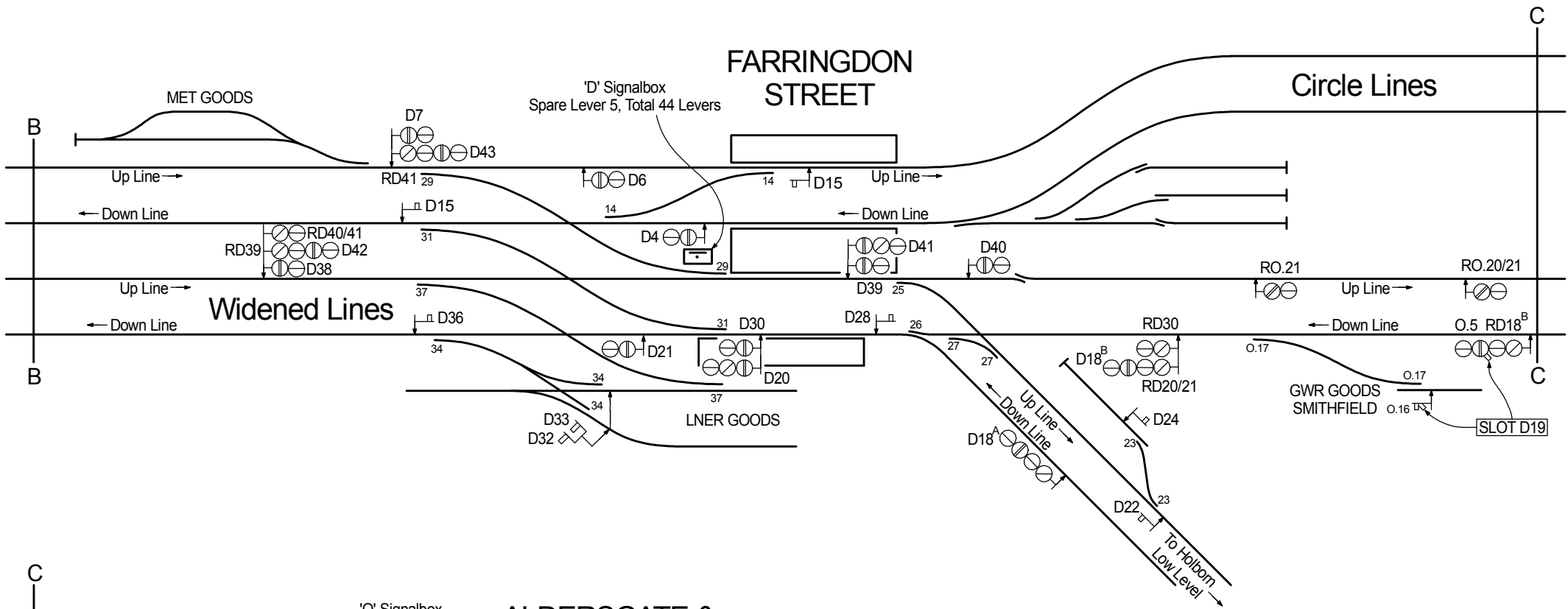


WIDENED LINES

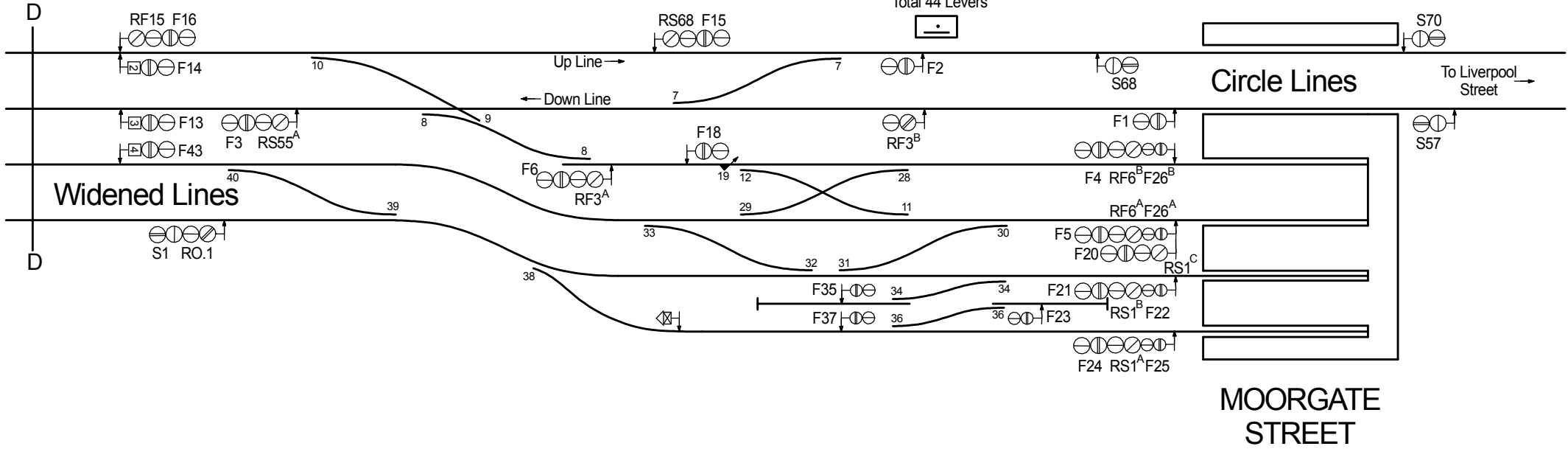
1926

KINGS CROSS TO MOORGATE



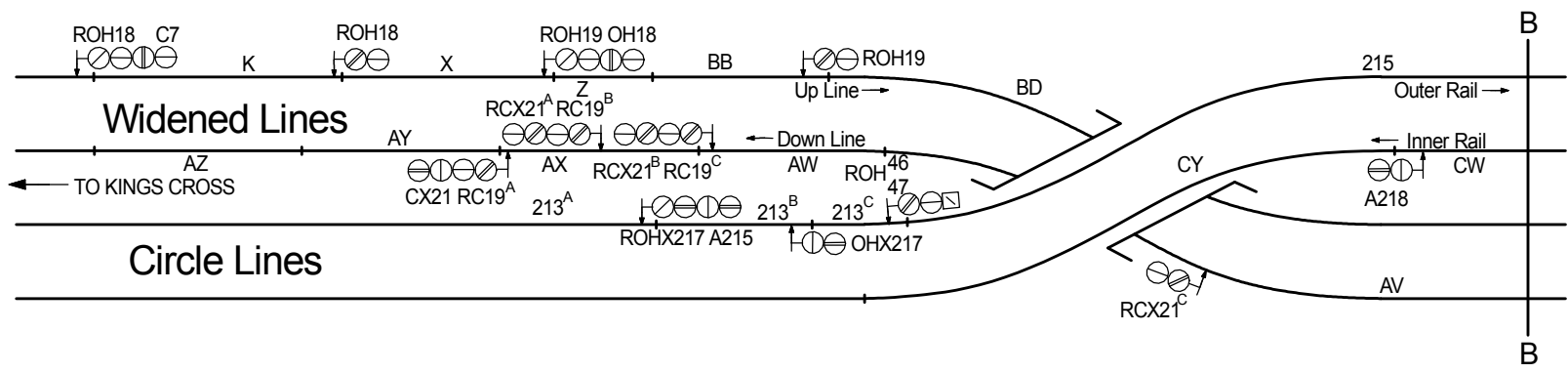


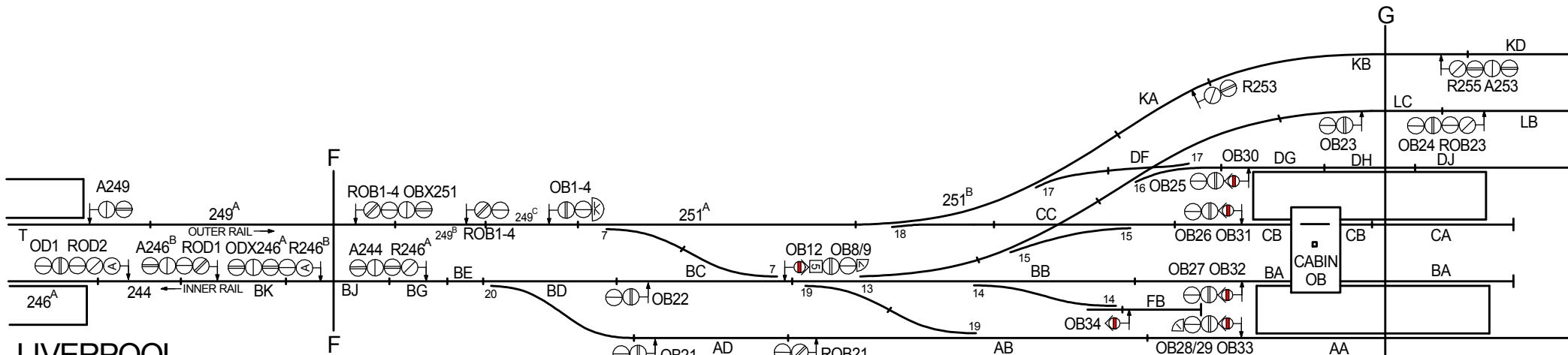
'F' Signalbox
 King Lever No. 27
 Spare Levers 41,42
 Total 44 Levers



**CIRCLE &
WIDENED LINES
1956**

FARRINGDON TO ALDGATE





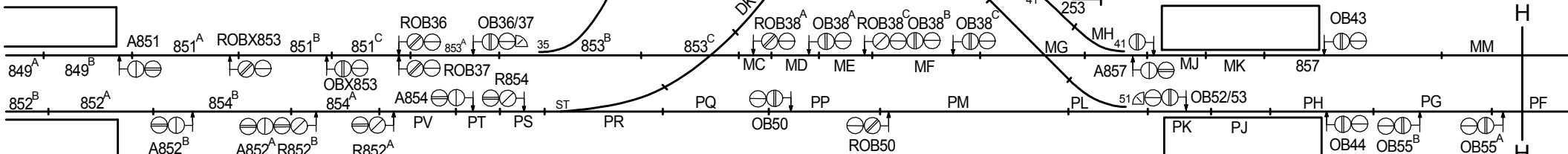
LIVERPOOL STREET
OD

G
KD
KB
LC
LB
CA
BA
AA
G
ALDGATE
OB

ALDGATE

TOWER HILL

ALDGATE EAST



ALDGATE EAST

TO WHITECHAPEL

TO EAST LONDON LINE